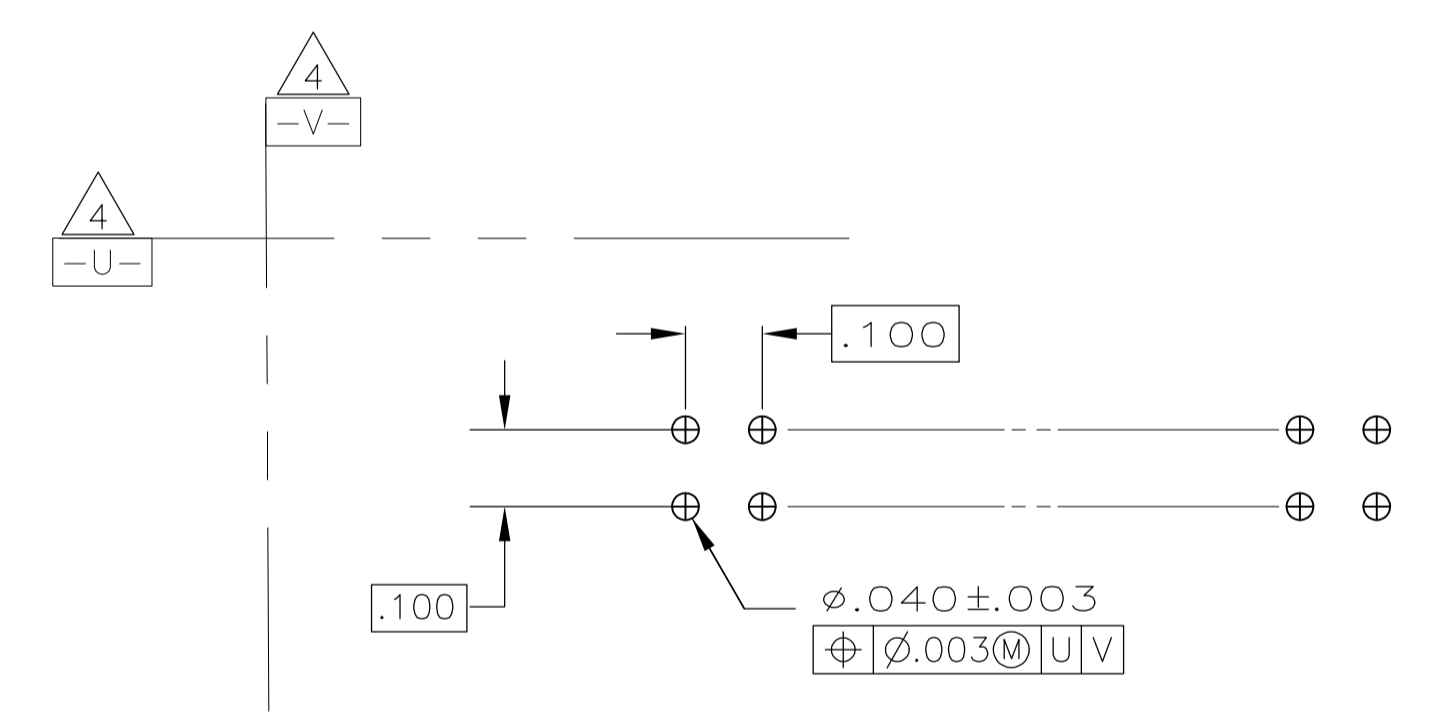
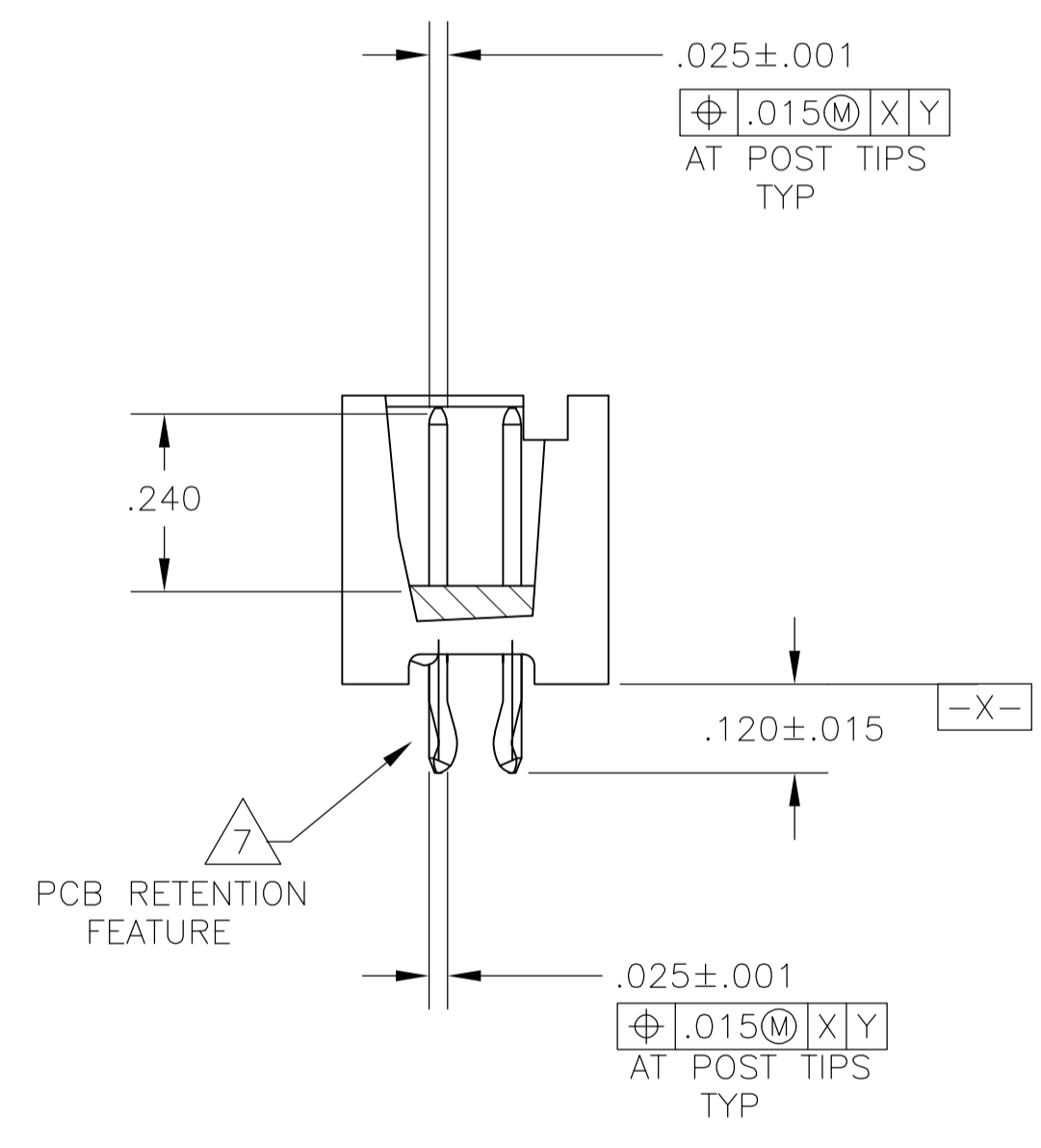
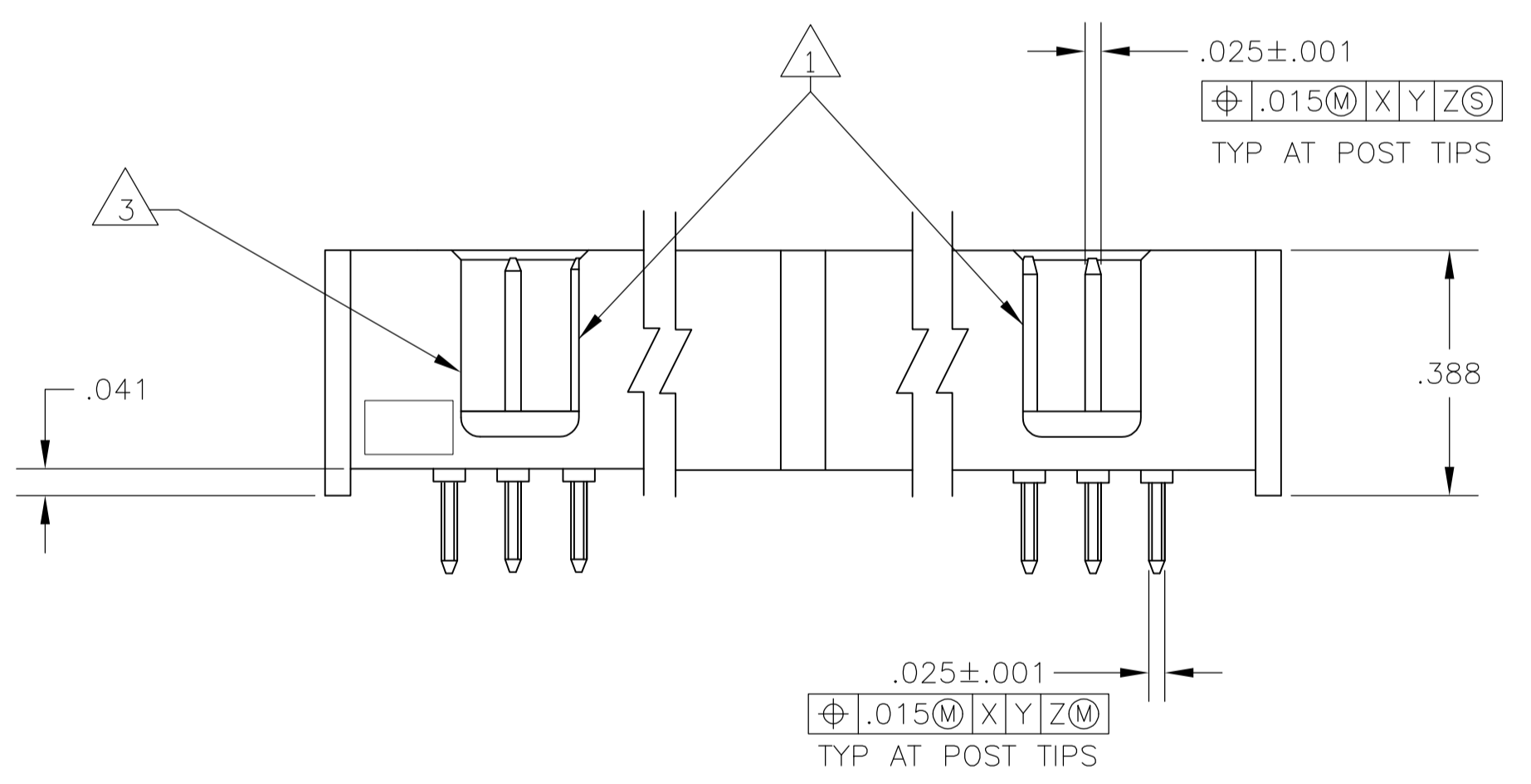
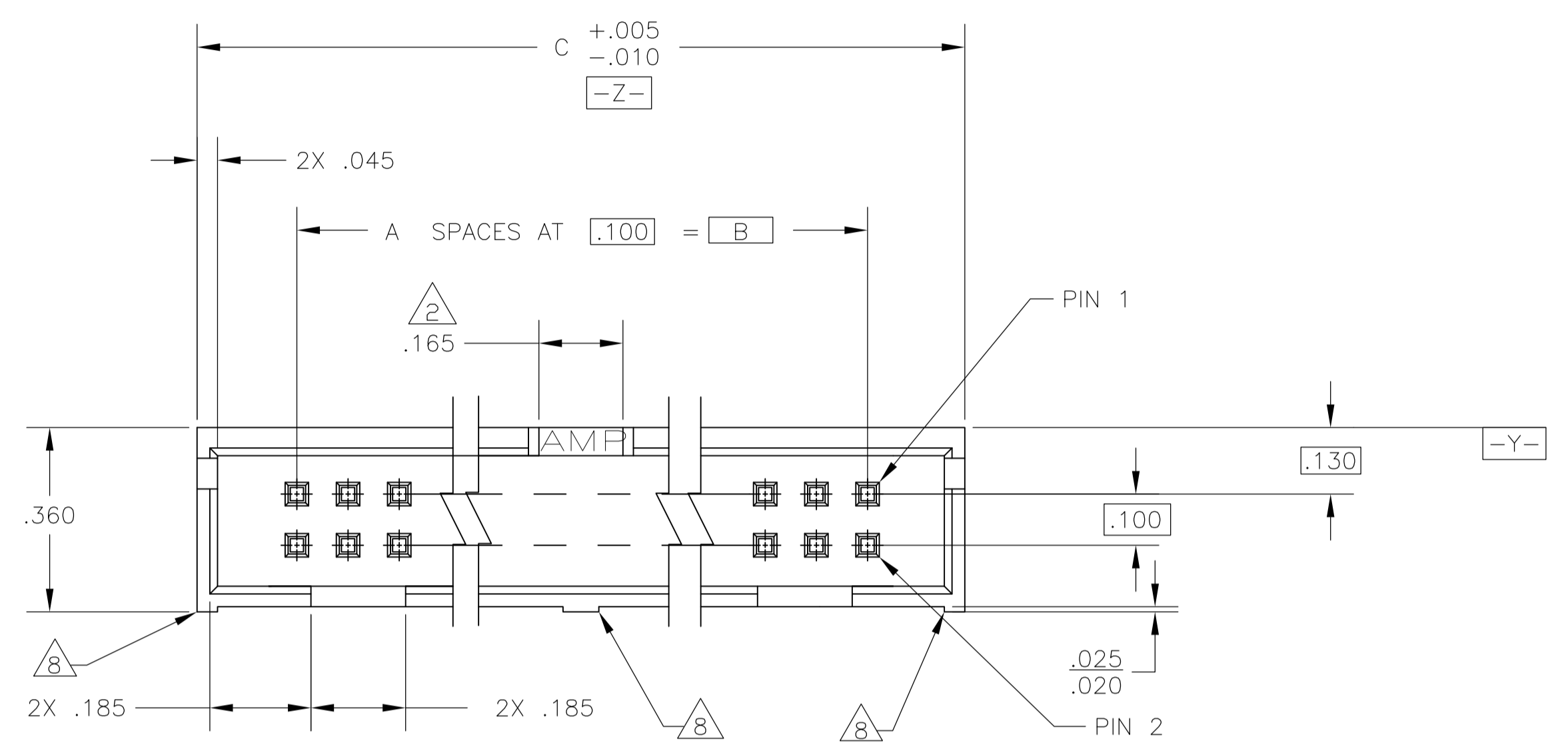


- 1 DOUBLE BAR POLARIZATION SLOTS.
- 2 CENTER POLARIZATION SLOT.
- 3 FOR 10 POSN ASSEMBLY, SLOT OMITTED IN THIS LOCATION.
- 4 DATUMS U AND V TO BE ESTABLISHED BY THE CUSTOMER.
- 5 HOUSING: GLASS FILLED PPA, UL 94V-0, COLOR: BLACK. POSTS: BRASS.
- 6 POSTS: GOLD FLASH OVER .000015 MIN PALLADIUM-NICKEL PLATE ON THE MATING SURFACES, .000100 MIN TIN PLATE ON THE SOLDER-TAILS, .000050 MIN NICKEL UNDERPLATE ON THE ENTIRE POST.
-OR-
.000015 MIN GOLD PLATE ON THE MATING SURFACES, .000100 MIN TIN PLATE ON THE SOLDER-TAILS, .000050 MIN NICKEL UNDERPLATE ON THE ENTIRE POST.
- 7 THE RETENTION FEATURE ON THE SOLDER-TAILS WAS DESIGNED FOR A PCB THICKNESS OF .062±.007. THIS FEATURE APPLIES ONLY TO THE SOLDER-TAILS LOCATED ON THE END POSITIONS THE CONNECTOR (4 PLACES).
- 8 RIBS:
ALL POSITION SIZES-2 LOCATED AT ENDS OF HOUSING.
20 THRU 34 POSITION SIZES- 1 OPTIONAL RIB CENTERED ON HOUSING.
40 THRU 50 POSITION SIZES-2 OPTIONAL RIBS EVENLY SPACED WITHIN REMAINING LENGTH OF HOUSING.



RECOMMENDED PCB LAYOUT

3.300	2.900	29	60	1-5104338-0
2.800	2.400	24	50	5104338-9
2.300	1.900	19	40	5104338-8
2.000	1.600	16	34	5104338-7
1.600	1.200	12	26	5104338-6
1.500	1.100	11	24	5104338-5
1.300	.900	9	20	5104338-4
1.100	.700	7	16	5104338-3
1.000	.600	6	14	5104338-2
.800	.400	4	10	5104338-1
C	B	A	NO OF POSN	ASSEMBLY PART NUMBER

THIS DRAWING IS A CONTROLLED DOCUMENT.

DIN: B. LATTUCA 01 NOV 05	Tyco Electronics Corporation Harrisburg, PA 17105-3608
CHK: J. GERACE 01 NOV 05	
APPD: M. WALMSLEY 01 NOV 05	NAME: M. WALMSLEY
PRODUCT SPEC: 108-40018	
APPLICATION SPEC: -	
MATERIAL: 5	FINISH: 6
WEIGHT: -	SCALE: 4:1
CUSTOMER DRAWING	SHEET 1 OF 1

RESTRICTED TO: -